

Specifications, cont'd

| | |
|------------------------|-----------------|
| Return loss | |
| P/2 DA2 Plus | -38.3dB @ 5 MHz |
| P/2 DA4/DA6 Plus | -45dB @ 5 MHz |

Video output

| | |
|------------------------|--|
| Number/signal type | |
| P/2 DA2 Plus | 2 VGA-UXGA RGBHV, RGBS, RGsB, RsGsBs |
| P/2 DA4 Plus | 4 VGA-UXGA RGBHV, RGBS, RGsB, RsGsBs |
| P/2 DA6 Plus | 6 VGA-UXGA RGBHV, RGBS, RGsB, RsGsBs |
| Connectors | 2, 4, or 6 15-pin HD female (depending on the model) |
| Nominal level | 0.7V p-p (excluding sync) |
| Minimum/maximum levels | |
| P/2 DA2 Plus | 0.4V to 1.4V p-p |
| P/2 DA4/DA6 Plus | 0.3V to 1.5V p-p |
| Impedance | 75 ohms |
| Return loss | |
| P/2 DA2 Plus | -41dB @ 5 MHz |
| P/2 DA4/DA6 Plus | -45dB @ 5 MHz |
| DC offset | ±5mV maximum with input at 0 offset |

Sync

| | |
|------------------------------|---------------------------|
| Input type | RGBHV, RGBS, RGsB, RsGsBs |
| Output type | RGBHV, RGBS, RGsB, RsGsBs |
| Input level | 3.0V to 5.0V p-p |
| Output level | TTL 5V p-p |
| Input impedance | 510 ohms |
| Output impedance | 75 ohms |
| Max. propagation delay | 60 ns |
| Max. rise/fall time | |
| P/2 DA2 Plus | 4 ns |
| P/2 DA4/DA6 Plus | 2 ns |
| Polarity | Positive or negative |

General

| | |
|------------------------|--|
| Power | |
| P/2 DA2 Plus | 100VAC to 240VAC, 50/60 Hz, 4.5 watts, external, auto-switchable; to 9VDC, 1 A power supply. |
| P/2 DA4/DA6 Plus | 100VAC to 240VAC, 50/60 Hz, 12 watts, internal, auto-switchable |

Specifications, cont'd

| | |
|----------------------------|--|
| Temperature/humidity | Storage -40° to +158°F (-40° to +70°C) / 10% to 90%, non-condensing Operating +32° to +122°F (0° to +50°C) / 10% to 90%, non-condensing |
|----------------------------|--|

Rack mount

| | |
|------------------------|---|
| P/2 DA2 Plus | No |
| P/2 DA4/DA6 Plus | Yes, with optional 1U rack shelf, part #60-190-01 |

Enclosure type

| | |
|------------------------|---------|
| P/2 DA2 Plus | Plastic |
| P/2 DA4/DA6 Plus | Metal |

Enclosure dimensions

| | |
|------------------------|--|
| P/2 DA2 Plus | 1.4" H x 5.0" W x 3.3" D 3.6 cm H x 12.7 cm W x 8.4 cm D (Depth excludes connectors.) |
| P/2 DA4/DA6 Plus | 1.6" H x 8.75" W x 9.4" D (1U high, half rack width) 4.1 cm H x 22.2 cm W x 23.9 cm D (Depth excludes connectors.) |

Product weight

| | |
|------------------------|------------------|
| P/2 DA2 Plus | 1.6 lbs (0.7 kg) |
| P/2 DA4/DA6 Plus | 2.2 lbs (1.0 kg) |

Shipping weight

| | |
|--------------------|----------------|
| P/2 DA2 Plus | 3 lbs (1.4 kg) |
| P/2 DA4 Plus | 4 lbs (1.8 kg) |
| P/2 DA6 Plus | 5 lbs (2.3 kg) |

Vibration

ISTA/NSTA 1A in carton (International Safe Transit Association)

Listings

UL, CUL

Compliances

CE

MTBF

30,000 hours

Warranty

3 years parts and labor

NOTE Specifications are subject to change without notice.

Extron® Electronics
INTERFACING, SWITCHING AND DISTRIBUTION



User's Guide



**P/2 DA2 Plus
P/2 DA4 Plus
P/2 DA6 Plus**

Distribution Amplifiers

68-362-01 Rev. C
Printed in the USA
08 02



Extron Electronics, USA
1230 South Lewis Street
Anaheim, CA 92805
USA
714.491.1500
Fax 714.491.1517
www.extron.com

Extron Electronics, Europe
Beeldschermweg 6C
3821 AH Amersfoort
The Netherlands
+31.33.453.4040
Fax +31.33.453.4050

Extron Electronics, Asia
135 Joo Seng Road, #04-01
PM Industrial Building
Singapore 368363
+65.6383.4400
Fax +65.6383.4664

Extron Electronics, Japan
Daisan DMJ Building 6F
3-9-1 Kudan Minami
Chiyoda-ku, Tokyo 102-0074 Japan
+81.3.3511.7655
Fax +81.3.3511.7656

Installation and Operation

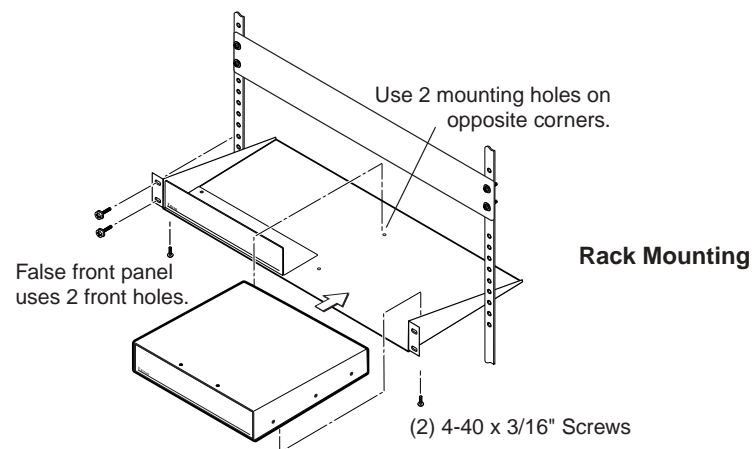
Description

The P/2 DA2 Plus, P/2 DA4 Plus, and P/2 DA6 Plus are distribution amplifiers that accept video input from a VGA-UXGA compatible PC and distribute that signal to separately buffered outputs. Each output can be extended with Extron VGA-HR cables in 6', 15', 25', 50', 75', 100', 150', 200' and 250' lengths.

Examples of typical installations are shown in the diagrams on the following pages.

Installation

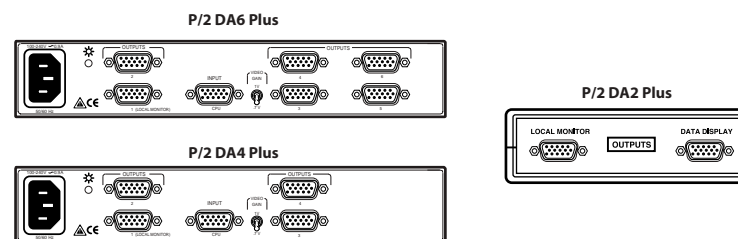
1. Power off the computer and its local monitor.
2. For optional rack mounting (four and six output only), mount the unit on one side of a 19" 1U Universal Rack Shelf (Extron part # 60-190-01). See the illustration below.
 - a. If feet were previously installed on the bottom of the case, remove them.
 - b. Mount the unit on the rack shelf, as shown below, using two 4-40 x 3/16 screws in opposite (diagonal) corners to secure the case to the shelf.



3. Connect the computer's VGA output to the input of the distribution amplifier (P/2 DA2 Plus cable or the center connector of the P/2 DA4 Plus or P/2 DA6 Plus). See rear panel diagrams on next page.
4. Connect the computer's monitor to the "Local Monitor" output of the distribution amplifier.

Installation and Operation, cont'd

5. Connect an LCD panel, a VGA-UXGA monitor, or a projector to the other output(s).
6. Connect power to the distribution amplifier.
7. Power on the local monitor, the computer, and display device(s).



Indicators and Controls

Power LED: Located on the front and rear panels of the P/2 DA4 Plus and P/2 DA6 Plus only. When illuminated, it indicates that the distribution amplifier is receiving power.

Video Gain toggle switch: (P/2 DA4 Plus and P/2 DA6 Plus only) The Video Gain switch is normally set to 0.7V (down). For installations with long output cable runs, the 1.0V (up) position will give a brighter picture.

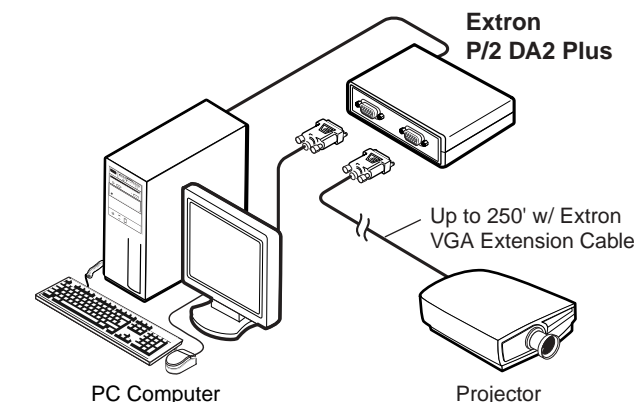
Operation

After the distribution amplifier and its connected devices are powered up, the system is fully operational. If any problems are encountered, verify that the cables are routed and connected properly. For units with the Video Gain toggle switch, verify that the switch position is correct (refer to the previous **Indicators and Controls** section).

Optional VGA Cables and Adapters

- 6', 15', 25', 50', 75', 100', 150', 200' and 250' VGA-HR cable
- SY-VGA — VGA to 5 BNCs
- T-NC-34 VGA — to NEC monitors
- C-VGA-VCP — VGA to Mitsubishi printers

Specifications



Specifications

Video

Gain

| | |
|------------------------|--------------------------|
| P/2 DA2 Plus | Unity |
| P/2 DA4/DA6 Plus | 0.7V or 1.0V, switchable |

Bandwidth

| | |
|------------------------|------------------------------|
| P/2 DA2 Plus | 270 MHz (-3dB), fully loaded |
| P/2 DA4/DA6 Plus | 300 MHz (-3dB), fully loaded |

Video input

Number/signal type 1 VGA-UXGA RGBHV, RGBS, RGsB, RsGsBs

Connectors

| | |
|------------------------|--|
| P/2 DA2 Plus | 1 15-pin HD male cable (built-in) |
| P/2 DA4/DA6 Plus | 1 15-pin HD female (optional Mac/VGA adapters are available) |

Nominal level 0.7V p-p (excluding sync)

Minimum/maximum levels Analog

| | |
|------------------------|---|
| P/2 DA2 Plus | 0.4V to 1.4V p-p with no offset at unity gain |
| P/2 DA4/DA6 Plus | 0.3V to 1.5V p-p with no offset at unity gain |

Impedance 75 ohms

Horizontal frequency 15 kHz to 135 kHz

Vertical frequency

| | |
|------------------------|-----------------|
| P/2 DA2 Plus | 30 Hz to 150 Hz |
| P/2 DA4/DA6 Plus | 30 Hz to 170 Hz |